



DPL Central Library Shelving Systems Procurement

Board of Directors Executive Summary

On November 3, 2020, Deschutes County voters approved a \$195 million bond measure to construct a new Central Library, double the size of the Redmond Library, and update the existing libraries in Downtown Bend, East Bend, La Pine, Sisters and Sunriver. One of the components of the Bond Program and each project is Furniture, Fixtures & Equipment (FF&E). This category includes Furniture, Shelving, Computers, Audio Visual, Automated Material Handling, and other various items to be purchased for each of the facilities. These components of the FF&E will be purchased from multiple vendors for each Library location independently of each other.

Spacesaver Specialists Inc. is the vendor selected to provide the shelving systems for the DPL Bond program projects. The shelving systems comprise two primary components. The first component is the metal shelving system. This component is purchased through a cooperative purchasing agreement DPL is a member. The second component is the millwork finishes incorporated into the metal shelving system. These two components are combined to create the Shelving System. Spacesaver Specialists Inc. was selected for the millwork component through a competitive RFP issued for the Sisters and La Pine libraries. After this RFP, Space Saver Specialists was approved to provide the millwork components in accordance with a Special Procurement and Sole Source Procurement approved by the DPL Local Contracting Review Board.

The Central Library Shelving System authorization request for the Space Saver Specialists scope of work and contract in the amount of \$2,660,000 was approved by the Board in November 2024. DPL has evaluated a high-density storage system to expand the Central library storage capacity. Space Saver Specialists will furnish and install this system under their current contract. Attached is the cost estimate Space Saver Specialists provided with a number of system options. DPL will finalize the system specifics as the change order is prepared for execution.

This summary is submitted to the DPL Board for their approval to authorize the Library Director to execute the contract change order with Space Saver Specialists Inc. for the Central Library High Density Storage System. The Board authorization provides the Library Director with signing authority up to \$2,750,000.00 for the Central Library's Shelving Systems contract and change orders.

February 12, 2025

To: Chris Bertocchi
Redpoint Construction Management

From: Jim McCord
Spacesaver Specialists, Inc.

Re: Spacesaver HD Mobile System

Thank you for the opportunity to propose the following HD Mobile System at the Central Library - STR. The proposal includes multiple options.

Option 1 - Base Wheelhouse HD System - See drawing

- Floorless Anti-tip rail
- Low Profile Carriages
- 4-Post shelving Units
- Laminate front Panels
- Power controls
- Photo Aisle Safety Sweep
- Photo Aisle Entry Sensors
- Rechargeable Battery back-up
- Warranty 1 year labor - 5 year parts
- Delivery
- Installation

The above delivered and installed \$ 84,210.00

97" Shelving, adds 345 lin ft storage add to above \$ 12,850.00

- Included rolling ladder with working height of 104"



Option 2 - Wheelhouse HD System with infill fire retardant floor - See Drawing

- B- Anti-tip rail - Seismic
- Fire retardant rail & Decking
- ADA Ramp
- Low Profile Carriages
- 4-Post shelving Units
- Laminate front Panels
- Power controls
- Photo Aisle Safety Sweep
- Photo Aisle Entry Sensors
- Rechargeable Battery back-up
- Warranty 1 year labor - 5 year parts
- Delivery
- Installation
- No floor covering

The above delivered and installed \$ 99,859.00

97" Shelving, adds 345 lin ft storage add to above \$ 12,850.00

- Included rolling ladder with working height of 104"

Anchoring Engineering \$ 2,950.00

Estimated Permit cost waiting on City of Bend.

All pricing base on the Spacesaver Sourcewell contract # 110923-SPC Member # 205529

Extended Shelving Contract labor for 4 years for a completed 5 year warranty

- Two preventative check-up per year
- Emergency Service calls

The above extended Service Contract \$ 8,707.00



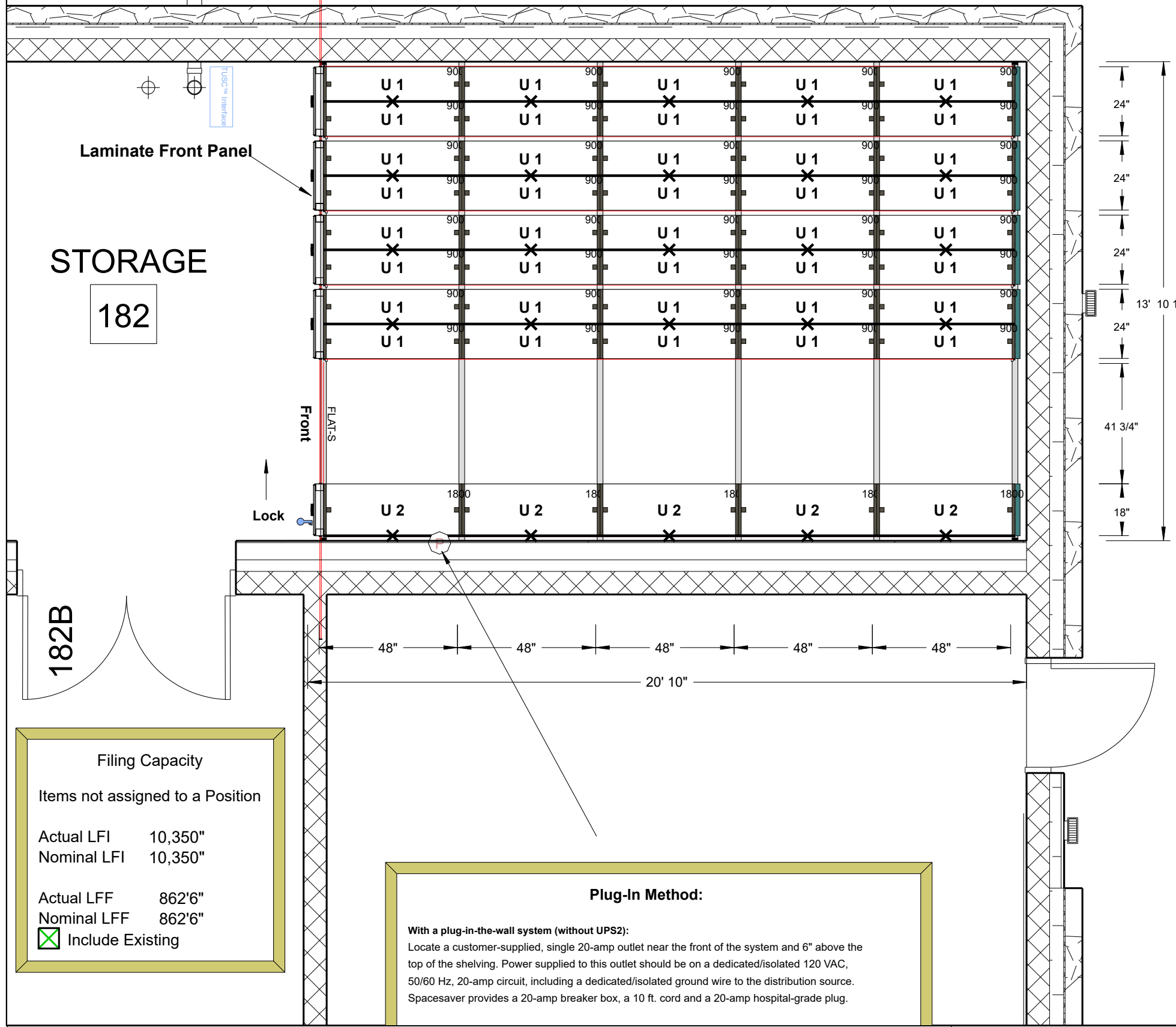
Spacesaver Specialists, Inc.

9730 SW Herman Road • Tualatin, Oregon 97062 • Tel 503.612.2600 • Toll free 800.456.2066 • Fax 503.612.2614

General Contractor, OR: 88704 • WA: SPACES1110JO

www.storageplanning.com

Base Wheelhouse Drawing



STORAGE
182

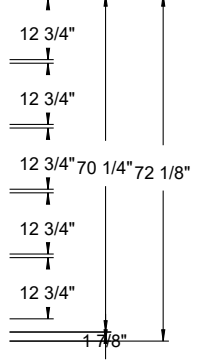
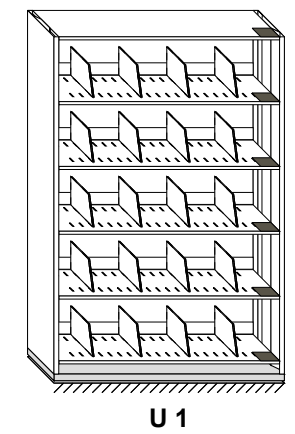
182B

Filing Capacity	
Items not assigned to a Position	
Actual LFI	10,350"
Nominal LFI	10,350"
Actual LFF	862'6"
Nominal LFF	862'6"
<input checked="" type="checkbox"/>	Include Existing

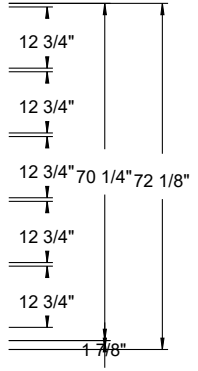
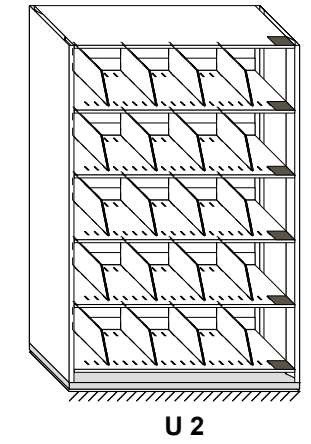
Plug-In Method:

With a plug-in-the-wall system (without UPS2):
 Locate a customer-supplied, single 20-amp outlet near the front of the system and 6" above the top of the shelving. Power supplied to this outlet should be on a dedicated/isolated 120 VAC, 50/60 Hz, 20-amp circuit, including a dedicated/isolated ground wire to the distribution source. Spacesaver provides a 20-amp breaker box, a 10 ft. cord and a 20-amp hospital-grade plug.

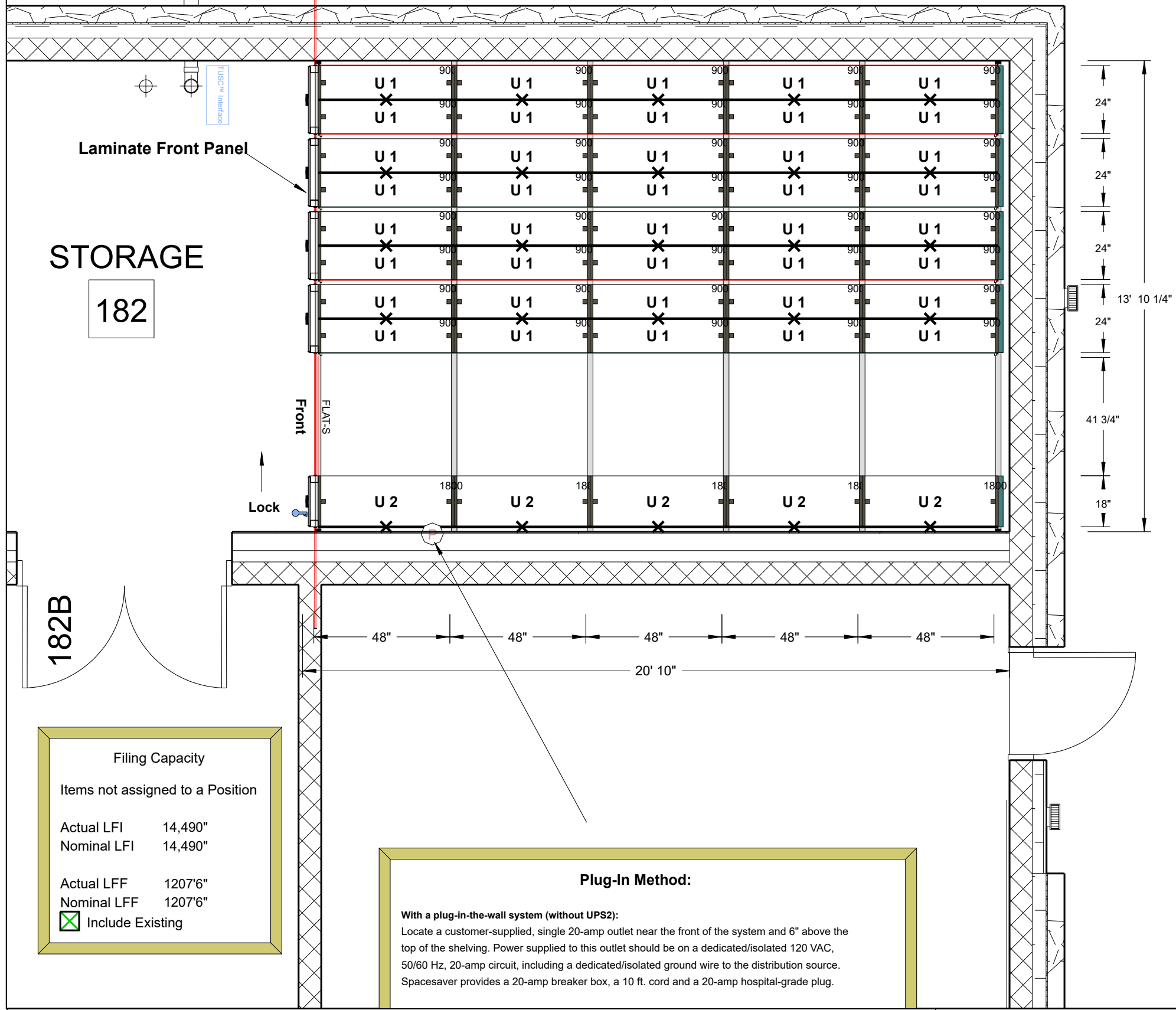
H72 1/8"
70 1/4" x 48" x 12"



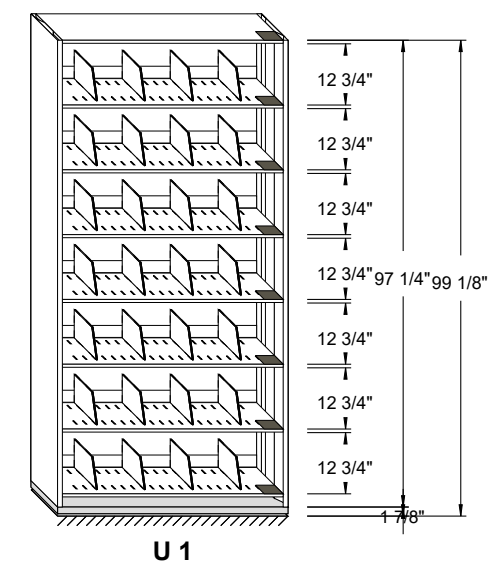
H72 1/8"
70 1/4" x 48" x 18"



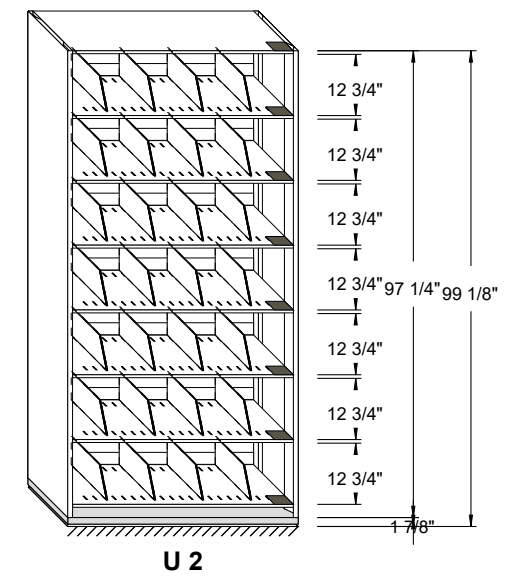
Base Wheelhouse Tall Shelving



H99 1/8"
97 1/4" x 48" x 12"



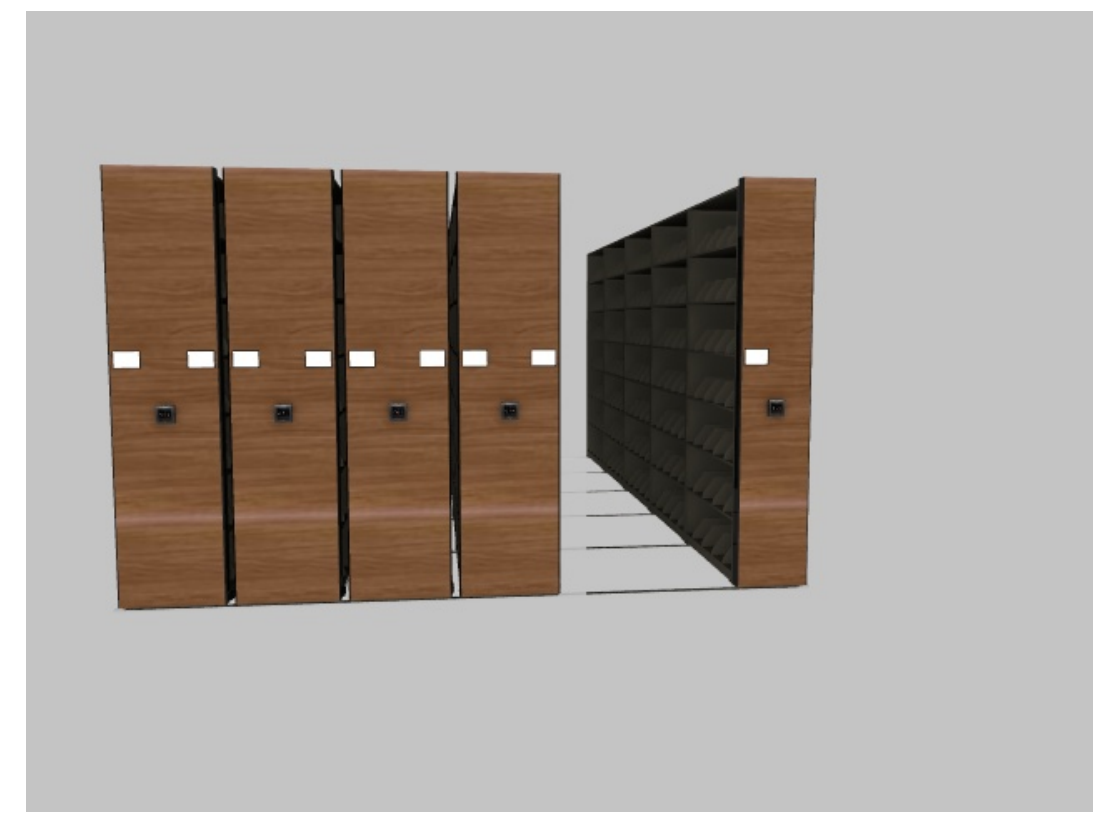
H99 1/8"
97 1/4" x 48" x 18"



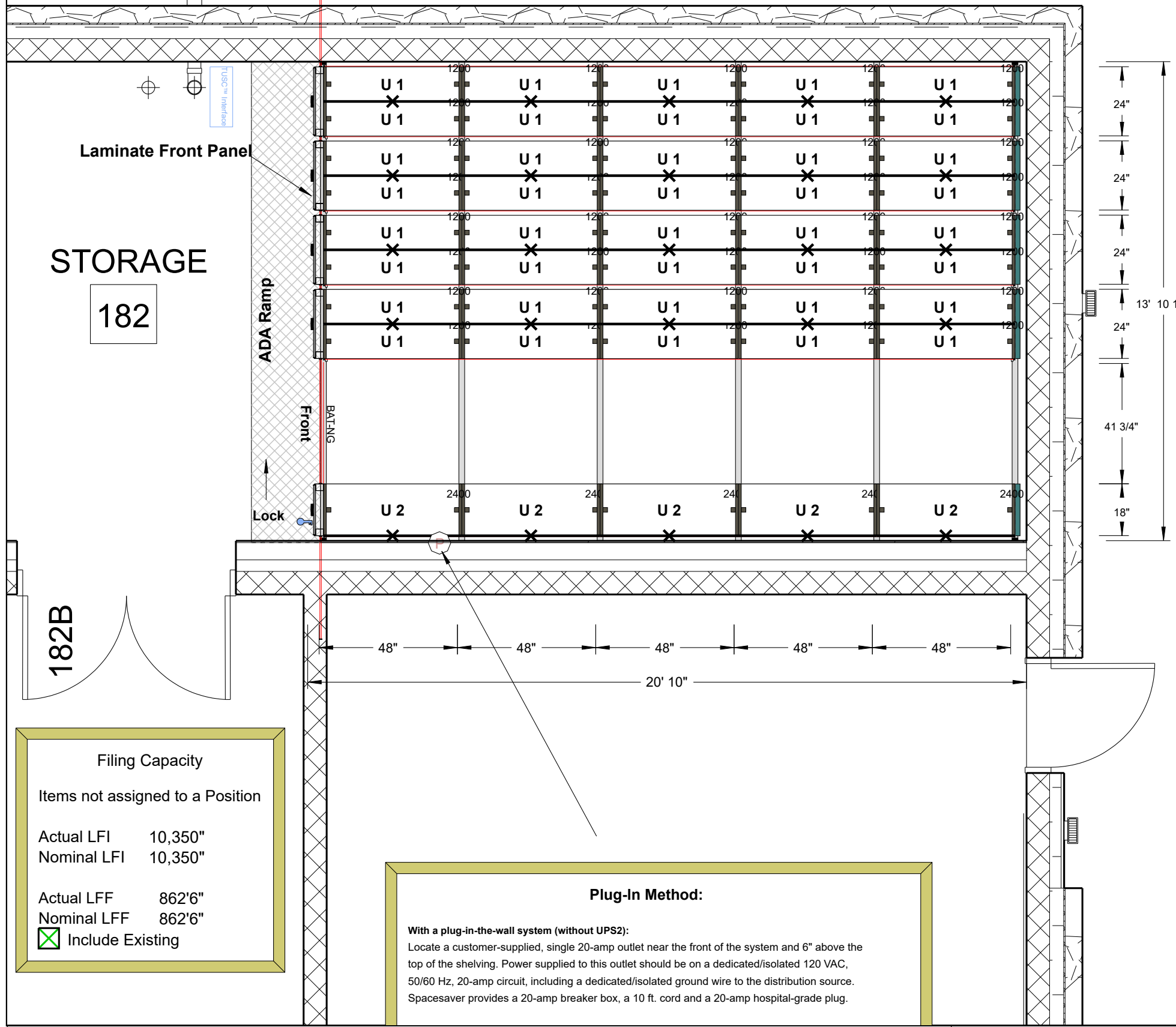
Filing Capacity	
Items not assigned to a Position	
Actual LFI	14,490"
Nominal LFI	14,490"
Actual LFF	1207'6"
Nominal LFF	1207'6"
<input checked="" type="checkbox"/>	Include Existing

Plug-In Method:

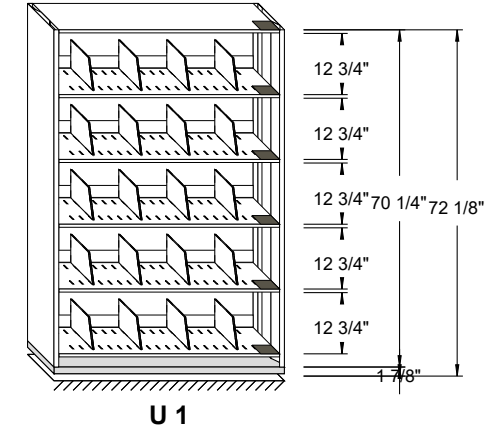
With a plug-in-the-wall system (without UPS2):
 Locate a customer-supplied, single 20-amp outlet near the front of the system and 6" above the top of the shelving. Power supplied to this outlet should be on a dedicated/isolated 120 VAC, 50/60 Hz, 20-amp circuit, including a dedicated/isolated ground wire to the distribution source. Spacesaver provides a 20-amp breaker box, a 10 ft. cord and a 20-amp hospital-grade plug.



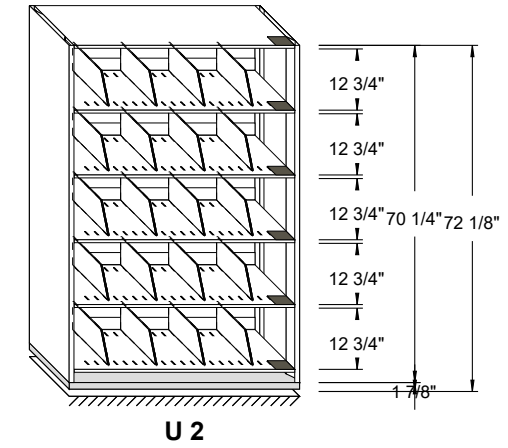
Base Wheelhouse Drawing With Raised Floor



H73 1/8"
70 1/4" x 48" x 12"



H73 1/8"
70 1/4" x 48" x 18"



STORAGE
182

182B

Filing Capacity	
Items not assigned to a Position	
Actual LFI	10,350"
Nominal LFI	10,350"
Actual LFF	862'6"
Nominal LFF	862'6"
<input checked="" type="checkbox"/>	Include Existing

Plug-In Method:

With a plug-in-the-wall system (without UPS2):
 Locate a customer-supplied, single 20-amp outlet near the front of the system and 6" above the top of the shelving. Power supplied to this outlet should be on a dedicated/isolated 120 VAC, 50/60 Hz, 20-amp circuit, including a dedicated/isolated ground wire to the distribution source. Spacesaver provides a 20-amp breaker box, a 10 ft. cord and a 20-amp hospital-grade plug.